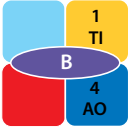


Digital-analog converter DAC2-04B

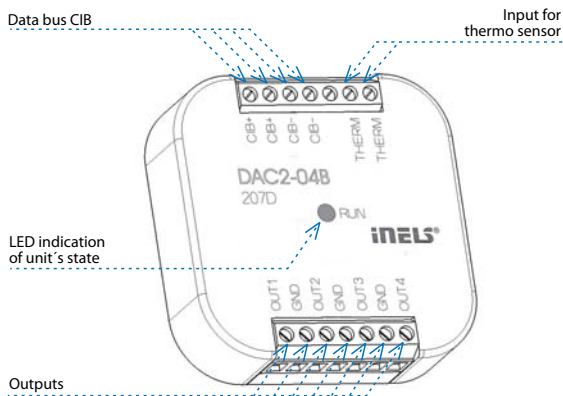


13mm
65mm

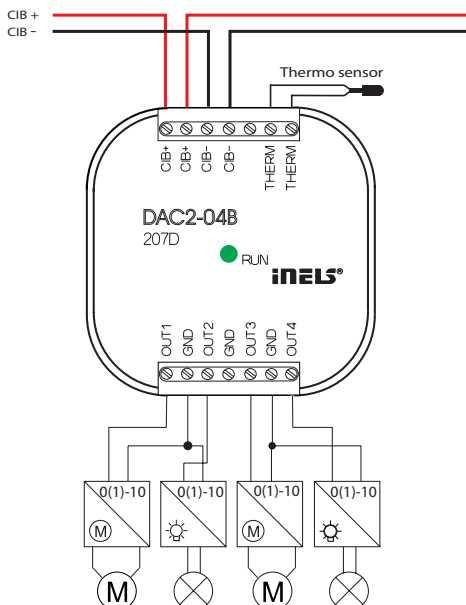


- Digital-analog converter DAC2-04B generates 4 analog voltage outputs 0(1)-10 V.
- DAC2-04B contains 4 independent voltage outputs (channels), which, according to type and input of controlled device, can be regulated in range 0-10V or 1-10V.
- Range of output voltage is selectable in software IDM.
- It is used for regulation and control of other devices, which can be controlled by this signal (dimmable ballasts for fluorescent lights, dimmers, thermostatic valves, servo motors, measuring elements, regulation devices, etc.).
- DAC2-04B in design MINI is designated for mounting into a wiring box.

Device description



Connection



Technical parameters:

Inputs

Temperature measuring:	YES, input to an external thermo sensor see accessories pg.53
------------------------	---

Outputs

Outputs:	4x 0(1)-10 V/10 mA
----------	--------------------

Communication

Bus type:	bus CIB
Unit's state indication:	green LED

Supply

Supply voltage/rated current:	27 V DC/50 mA, from CIB BUS
-------------------------------	-----------------------------

Connection

Connection:	terminal block
Profile of connecting wires:	0,5 mm ² - 1 mm ²

Operation conditions

Operation temperature:	-20 .. +55 °C
Storing temperature:	-30 .. +70 °C
Protection degree:	IP 30
Overvoltage category:	III.
Pollution degree:	2
Operation position:	any
Installation:	into a wiring box

Dimensions and weight

Dimensions:	49 x 49 x 13 mm
Weight:	33 g